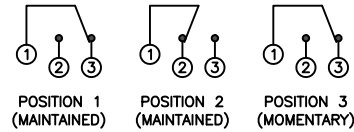


SCHMATIC



SPECIFICATIONS

FUNCTION:
1P2T ON[2]--ON[1]--(ON[2])

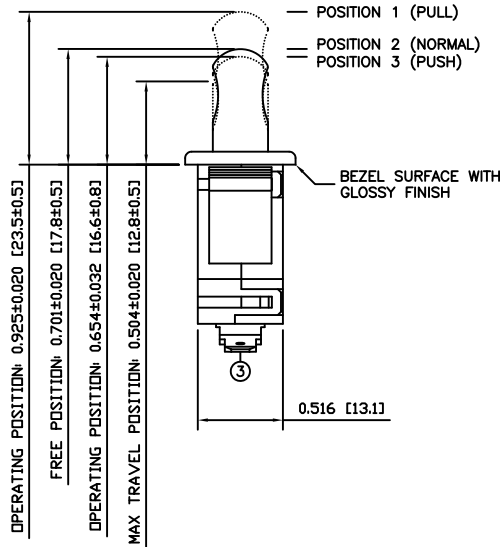
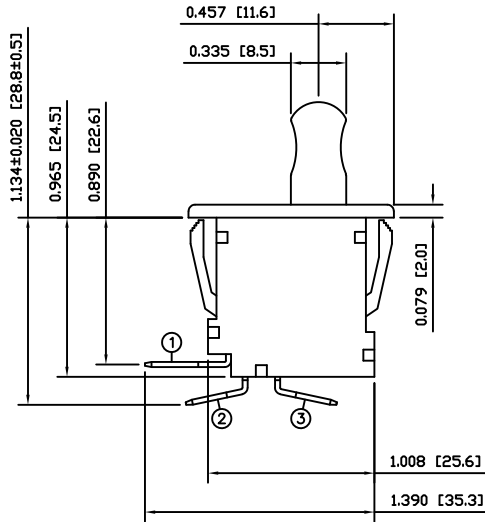
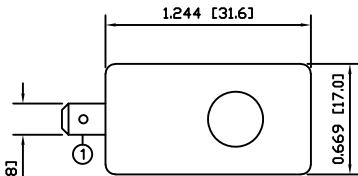
RATING:
ANSI/UL 1054 and CAN/CSA C22.2 No.55 (E194579):
16A 125VAC [cURus]
12A 250VAC [cURus]
1HP 125/250VAC [cURus]

CONTACT RESISTANCE:
Initial: 10mΩ Max.

TEMPERATURE:
Operating: 0°C to 85°C [cURus]

ELECTRICAL LIFE:
6,000 Cycles [cURus]

APPROVALS:
cURus **RoHS**
COMPLIANT



OPERATING POSITION: 0.925±0.020 [23.5±0.5]
FREE POSITION: 0.701±0.020 [17.8±0.5]
OPERATING POSITION: 0.654±0.032 [16.6±0.8]
MAX TRAVEL POSITION: 0.504±0.020 [12.8±0.5]

COLORS

BODY:
White

ACTUATOR:
White

MATERIALS

BODY:
Polyamide 6/6 (PA66)

ACTUATOR:
Polyamide 6/6 (PA66)

SPRING:
Steel (65Mn)

SPRING POLE:
Polyamide 6/6 (PA66)

HOOK SPRING:
Stainless Steel (1Cr13)

ACTUATION LEVER:
Brass (H62)

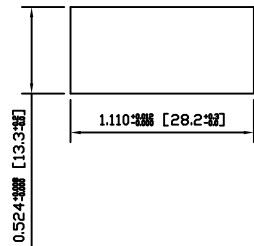
MOBILE CONTACT BAR:
Silver Plated Copper

MOBILE CONTACT:
Silver/Nickel (AgNi(10))

STATIONARY CONTACT:
Silver/Nickel Clad Copper (AgNi(10)/Cu)

TERMINALS:
Silver Plated Brass (H62)

SUGGESTED PANEL CUTOUT



ACTUATOR	B	10/03/16	CAB
BODY	B	10/03/24	CAB
COLORS	A	09/10/23	CAB
MATERIALS	B	10/04/07	CAB
SPECIFICATIONS	C	10/04/07	CAB
REFERENCE	REV.	DATE	BY

THE INFORMATION CONTAINED IN THIS DOCUMENT IS PROPRIETARY TO E-SWITCH AND IS NOT TO BE COPIED OR TRANSFERRED

B	CORRECTED DIMENSIONS	19001	10/04/07	CAB
A	INITIAL RELEASE	PCRD0223	09/12/09	CAB
REV.	DESCRIPTION	PCR	DATE	DRAWN BY

DIMENSIONS	
INCHES [MILLIMETERS]	
GENERAL TOLERANCES	
±0.008 [±0.2] / ±1'	
SCALE	PROJECTION
DRAWING NOT TO SCALE	1st Angle

PP1-DT7-2B2		
ITEM NUMBER	DATE	REVISION
34-PP1DT72B2	APRIL 7, 2010	B